
Light-Duty Housing User's Manual

Version 1.2.0

Table of Contents

1	GENERAL INTRODUCTION	1
1.1	Overview	1
1.2	Features	1
1.3	Dimensions	1
2	HOUSING INSTALLATION INSTRUCTION GUIDE	3
2.1	Lock/Unlock Housing	3
2.2	Camera Installation	3
2.3	Cable Connection	4
3	BRACKET INSTALLATION GUIDE	6
3.1	General Bracket Installation	6
3.2	Special Bracket Installation (Compact design, concealed cable exit)	6
3.3	Bracket Types	7
4	SPECIFICATIONS	9
	APPENDIX TOXIC OR HAZARDOUS MATERIALS OR ELEMENTS	10

Welcome

Thank you for purchasing our housing!

Please read the following safeguards and warnings carefully before you install or use the product!

Important Safeguards and Warnings

1 . Electrical safety

All installation and operation here should conform to your local electrical safety codes. We assume no liability or responsibility for all the fires or electrical shock caused by improper handling or installation.

2 . Transportation security

Heavy stress, violent vibration or water splash are not allowed during transportation, storage and installation.

3 . Installation

Do not apply power to the housing before completing installation.
Do not place objects on the housing.

4 . Qualified engineers needed

All the examination and repair work should be done by the qualified service engineers. We are not liable for any problems caused by unauthorized modifications or attempted repair.

5 . Environment

The housing should be installed in a cool, dry place away from direct sunlight, inflammable, explosive substances and etc.
Please keep sound ventilation.

6. Accessories

Be sure to use all the accessories recommended by manufacturer.
Before installation, please open the package and check all the components are included.
Contact your local retailer ASAP if something is broken in your package.

1 General Introduction

1.1 Overview

The light-duty housing (“housing”) adopts all-weather compact design. It can install camera and lens of various dimensions. It has built-in camera mounting plate. The IP66 compliance is suitable for various environments.

1.2 Features

- Compact design, concealed cable exit.
- Glass waterproof coat finish.
- All aluminum construction, waterproof design, IP66 compliance.
- Module design, support various function combinations.
- IR module is for 50M/100M distance both.
- All-weather wiper module, built-in heating module.
- Optional installation modes and brackets.
- Suitable for cameras, block camera and ITS products of various dimension.

1.3 Dimensions

The dimensions of PFH610N and DH-PFH610N-H are shown as below. The unit is mm. See Figure 1-1.

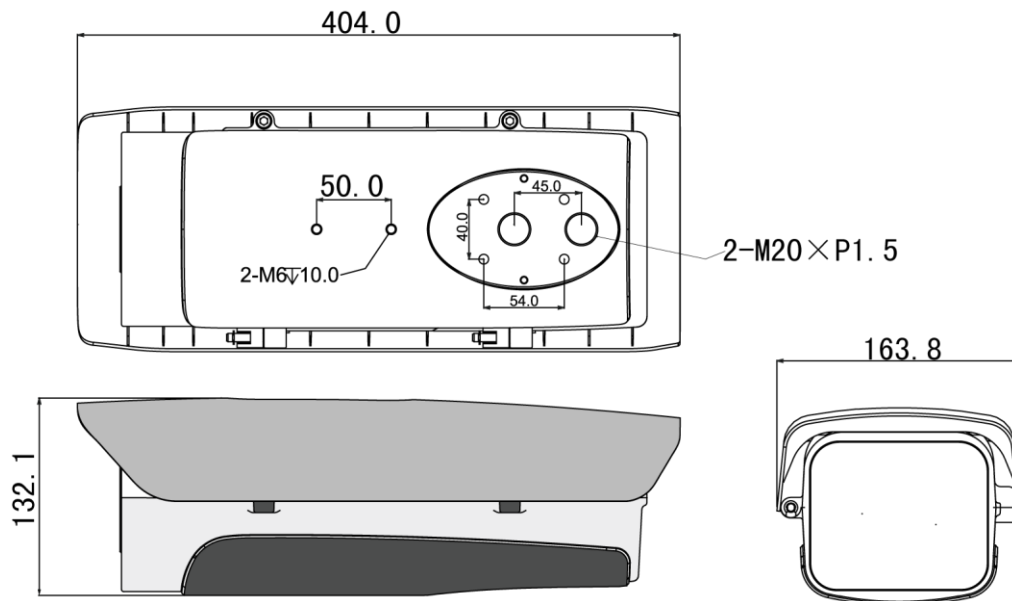


Figure 1-1

The dimensions of PFH610N-IR are shown as below. The unit is mm. See Figure 1-2.

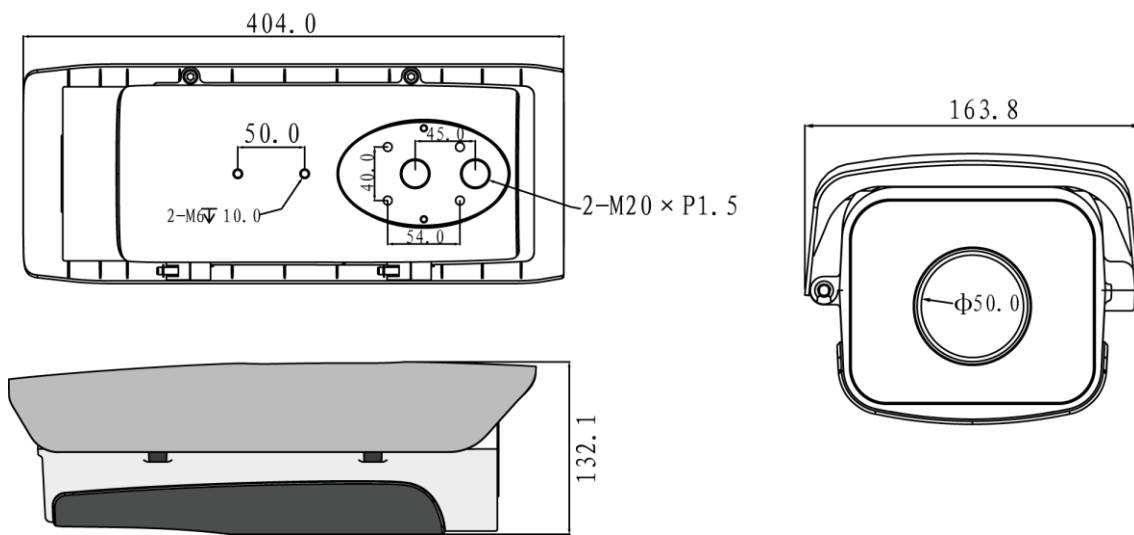


Figure 1-2

The dimensions of PFH610N-W and PFH610N-IR-W are shown as below. The unit is mm. See Figure 1-3.

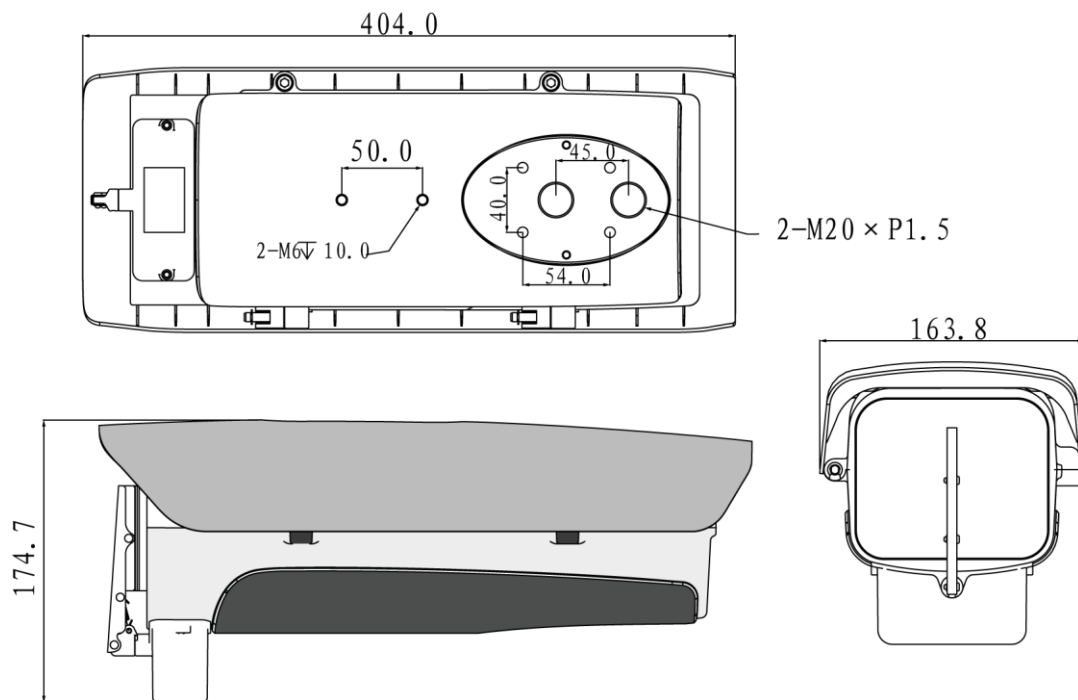


Figure 1-3

2 Housing Installation Instruction Guide

2.1 Lock/Unlock Housing

You can use inner hex wrench (5.0mm) to fix or loosen the two M6 screws on both sides of the housing to lock or unlock the housing. See Figure 2-1.



Figure 2-1

Important

Before you lock the housing, please make sure the waterproof gasket is in the right position. See Figure 2-2. Otherwise it may affect the waterproof capability of the housing.

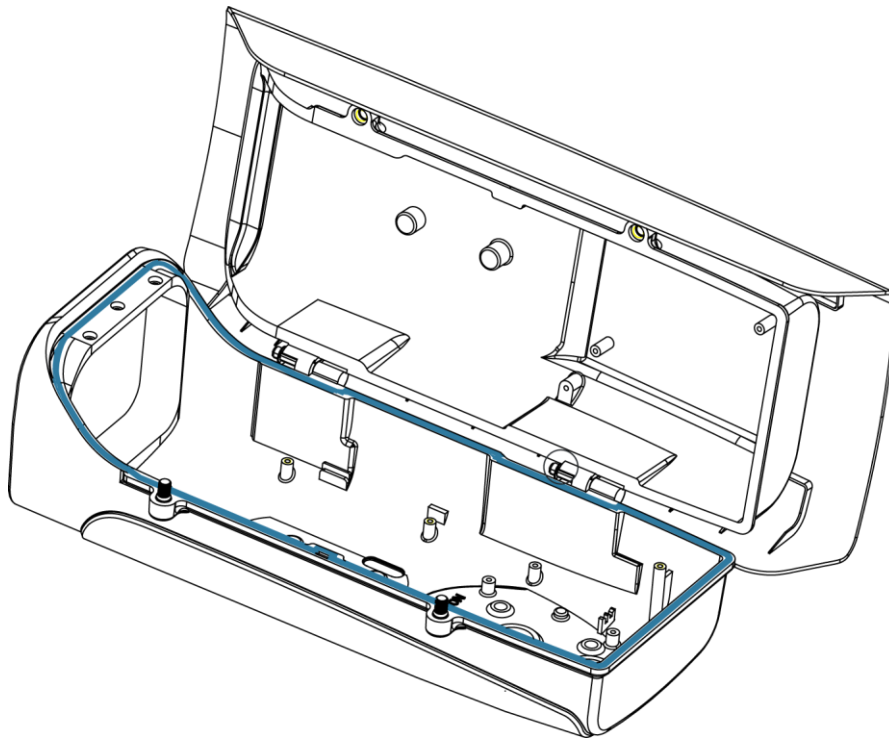


Figure 2-2

2.2 Camera Installation

Step 1: Take the camera bracket from the housing.

Step 2: Fix the camera on the camera bracket.

Step 3: Secure the camera bracket on the case. See Figure 2-3.

Note

The camera lens shall be as near as to the inside of the glass (Recommended distance is 1-3mm.) in case it affect the lens view angle.

The camera bracket supports upside down installation

Please refer to the following sheet for detailed information.

SN	Name
1	Camera
2	Screws to secure the camera bracket. (M3×8 combination screw)
3	Camera bracket
4	Screws to secure the camera (1/4-20×6UNC pan head screws.)

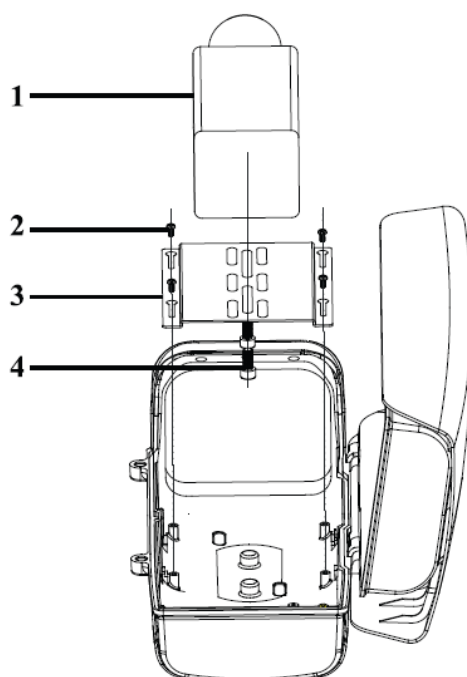


Figure 2-3

2.3 Cable Connection

Please refer to the following figure for cable connection information of modules. See Figure 2-4.

Note

PFH610N does not include the module. Please contact your local retailer for more information.

Important

- Do not connect C/NO port to the IR/G port. It may result in IR light damage.
- The input power sourcing shall be AC 24V when there is IR module and wiper module.
- The wiper shall work on the 50Hz environment.

Please refer to the following sheet for detailed information.

Port	Port Function
C/NO	Wiper control port. Connect to the NO port of the camera.
IR/G	IR light indicator light. When the IR light is on, the voltage between IR and G is

Port	Port Function
	3.4±0.1V. The voltage is 0V when the IR light is off.
CAM1/CAM2	Power output port. It is the same as the voltage of the external power supplying source.
AC24V/DC12V	Power input port. Connect to external power sourcing.

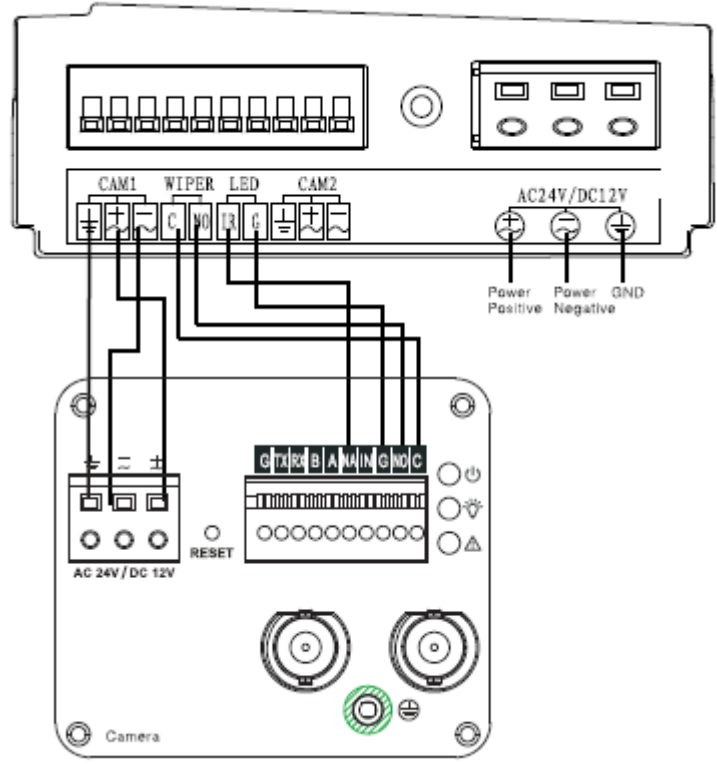


Figure 2-4

3 Bracket Installation Guide

3.1 General Bracket Installation

The housing can use the bracket of the thread hole to install. The general bracket thread hole (M6) on the housing is shown as below. See Figure 3-1.

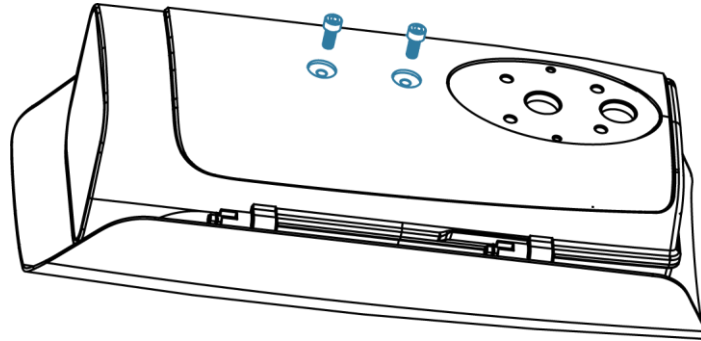


Figure 3-1

3.2 Special Bracket Installation (Compact design, concealed cable exit)

Step 1: Pull the cable through the inside of the bracket. See Figure 3-2.

Step 2: Secure the bracket on the housing. See Figure 3-3.

Step 3: Put the waterproof joint on the cables and then secure firmly. See Figure 3-4.

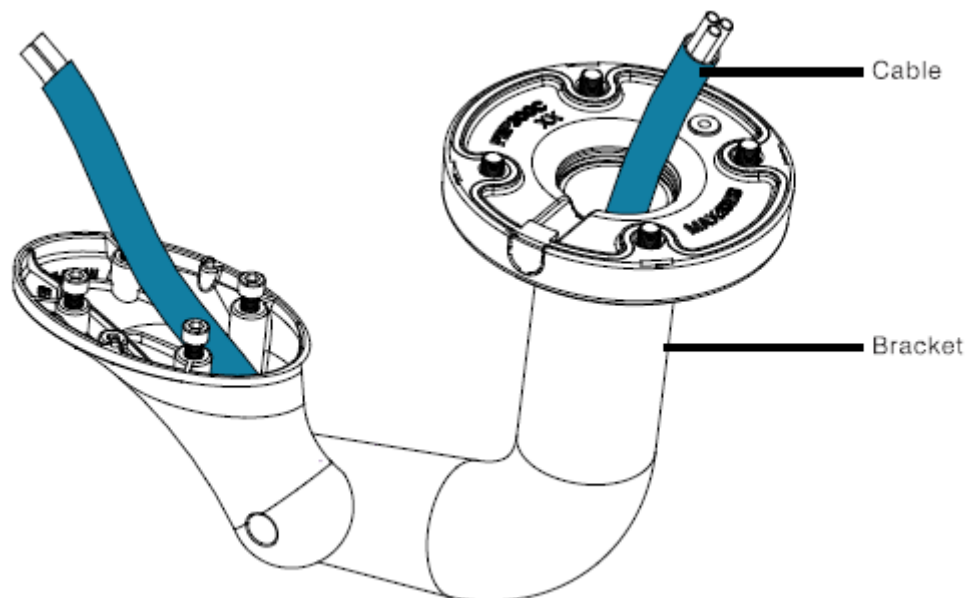


Figure 3-2

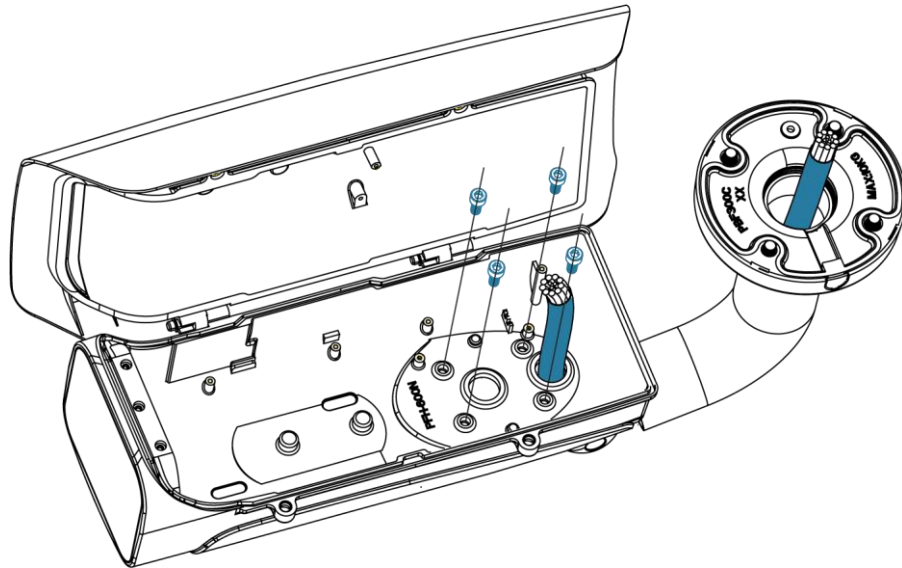


Figure 3-3

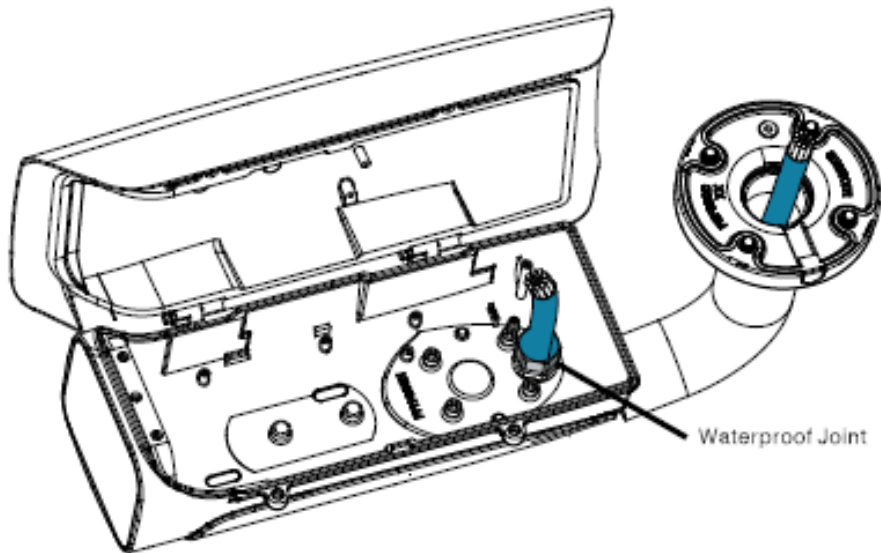
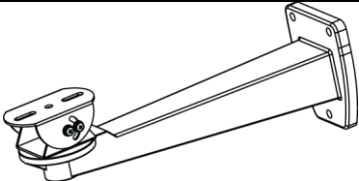
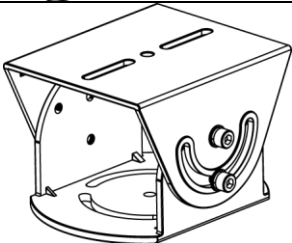
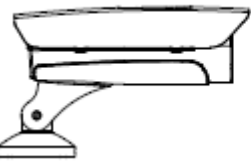
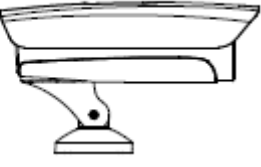
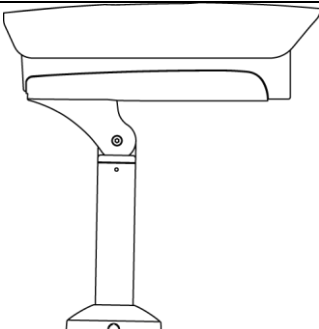


Figure 3-4

3.3 Bracket Types

You can refer to the following sheet for different bracket models if you want to use different mount modes.

Installation Mode	Reference Figure	Bracket Model
Ceiling Mount		PFB600W

Installation Mode	Reference Figure	Bracket Model
Wall Mount 1		PFB602W
Pedestal Mount		PFA160
Pedestal Mount 1	<p data-bbox="400 640 975 741">The bracket and the housing installation position adopt symmetric design. The bracket can be installed upside-down.</p> <div style="display: flex; justify-content: space-around;"> <div data-bbox="400 741 667 936"> <p data-bbox="507 741 592 770">Upright</p>  </div> <div data-bbox="699 741 965 936"> <p data-bbox="762 741 911 770">Upside Down</p>  </div> </div>	PFB601W
Pedestal Mount 2		PFB601W+PFA112 (200mm) or PFA113 (400mm)

The bracket is not a standard accessory of the housing. Please contact your local retailer for more information.

4 Specifications

Product Model	DH-PFH610N	DH-PFH610V	DH-PFH610N-H	DH-PFH610V-IR	DH-PFH610N-IR	DH-PFH610N-IR-W	DH-PFH610N-W
Dimensions	404mm×164mm×132mm	404mm×164mm×132mm	404mm×164mm×132mm	404mm×164mm×132mm	404mm×164mm×132mm	404mm×164mm×175mm	404mm×164mm×175mm
Camera Max Dimensions	220mm×86mm×90mm	220mm×86mm×90mm	220mm×86mm×90mm	171mm×86mm×90mm	171mm×86mm×90mm	171mm×86mm×90mm	171mm×86mm×90mm
Window Area	100mm×80mm	100mm×80mm	100mm×80mm	φ50mm	φ50mm	φ50mm	100mm×80mm
Weight	2.5Kg	2.5Kg	2.7Kg	3.0Kg	3.0Kg	3.5Kg	3.0Kg
Material	AL+PC	AL+PC	AL+PC	AL+PC	AL+PC	AL+PC	AL+PC
Protection Level	IP66	IP66	IP66	IP66	IP66	IP66	IP66
Installation Environments	Indoor/Outdoor	Indoor/Outdoor	Indoor/Outdoor	Indoor/Outdoor	Indoor/Outdoor	Indoor/Outdoor	Indoor/Outdoor
Working Temperature	-30℃~+60℃	-30℃~+60℃	-30℃~+60℃	-30℃~+60℃	-30℃~+60℃	-30℃~+60℃	-30℃~+60℃
Working Humidity	<90%, no condensation	<90%, no condensation	<90%, no condensation	<90%, no condensation	<90%, no condensation	<90%, no condensation	<90%, no condensation
Working Voltage	N/A	N/A	AC24V	AC24V	AC24V	AC24V	AC24V
Working Current	N/A	N/A	2.5A	2.5A	2.5A	2.5A	2.5A
Auto Temperature Control Range(Heating)	N/A	N/A	ON:5±5℃/ OFF:15±5℃	N/A	N/A	N/A	ON:5±5℃/ OFF:15±5℃
Auto Temperature Control Range(Blower)	N/A	N/A	ON:37±5℃ /OFF:20±5℃	ON:37±5℃ /OFF:20±5℃	ON:37±5℃ /OFF:20±5℃	ON:37±5℃ /OFF:20±5℃	ON:37±5℃ /OFF:20±5℃
IR Distance	N/A	N/A	N/A	0-100M	0-100M	0-100M	N/A
Wiper	N/A	N/A	N/A	N/A	N/A	YES	YES
Vandal Proof	N/A	YES	N/A	YES	N/A	N/A	N/A

Appendix Toxic or Hazardous Materials or Elements

Component Name	Toxic or Hazardous Materials or Elements					
	Pb	Hg	Cd	Cr VI	PBB	PBDE
Sheet Metal	○	○	○	○	○	○
Plastic Parts	○	○	○	○	○	○
PCB	○	○	○	○	○	○
Connection Cable	○	○	○	○	○	○
Accessories	○	○	○	○	○	○

Note

O: Indicates that the concentration of the hazardous substance in all homogeneous materials in the parts is below the relevant threshold of the SJ/T11363-2006 standard.

X: Indicates that the concentration of the hazardous substance of at least one of all homogeneous materials in the parts is above the relevant threshold of the SJ/T11363-2006 standard. During the environmental-friendly use period (EFUP) period, the toxic or hazardous substance or elements contained in products will not leak or mutate so that the use of these (substances or elements) will not result in any severe environmental pollution, any bodily injury or damage to any assets. The consumer is not authorized to process such kind of substances or elements, please return to the corresponding local authorities to process according to your local government statutes.

Note

- This manual is for reference only. Slight difference may be found in the user interface.
- All the designs and software here are subject to change without prior written notice.
- All trademarks and registered trademarks mentioned are the properties of their respective owners.
- If there is any uncertainty or controversy, please refer to the final explanation of us.
- Please visit our website or contact your local service engineer for more information.