

正面

封底

折线2

封面

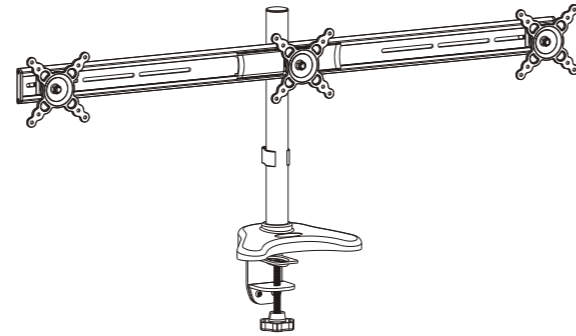
折线1

折线2

Thank you for choosing our product

INSTALLATION GUIDE

Item No.:BL103

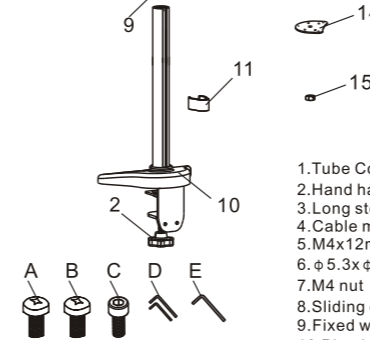
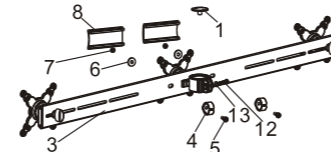


- TV Size Range: 10"~24"
- Max load capacity of each TV plate: 8Kg/17.6lbs
- Integrated Cable management

CAUTION

Please read this guide before installation.
Ensure the correct installation. Keep away from high frequency or power equipment to avoid disturbance. Choose desk to put this product.
We can not be responsible for any damage caused by wrong installation.

Hardware Kit:

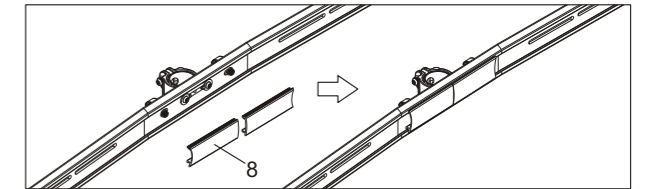
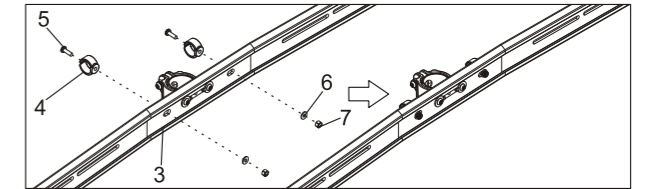


1. Tube Cover
2. Hand handle
3. Long steel arm
4. Cable management clip
5. M4x12mm bolt
6. $\phi 5.3 \times \phi 15 \times 1.2$ washer
7. M4 nut
8. Sliding cover
9. Fixed wreath
10. Plastic cover
11. Cable cover
12. M6x25 bolt
13. M6 washer
14. Bottom plate
15. M10 nut

- A: M4x12mm bolt (12PCS)
B: M5x12mm bolt (12PCS)
C: M4x10mm bolt (1PCS)
D: 3x3mm / 4x4mm allen key (2PCS)
E: 6x6mm allen key (1PCS)

STEP1

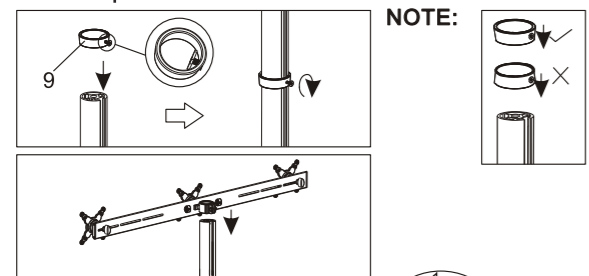
Fixed Long steel arm



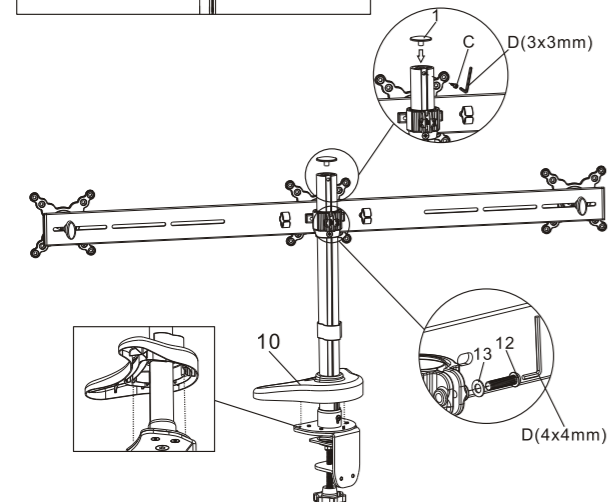
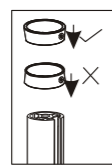
反面

STEP2

Install TV plate and fixed wreath

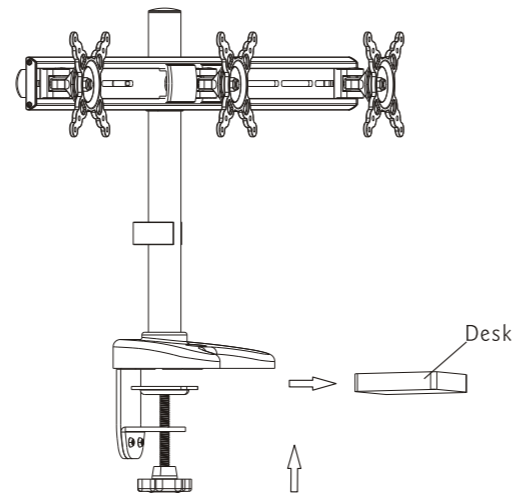


NOTE:



STEP3-A

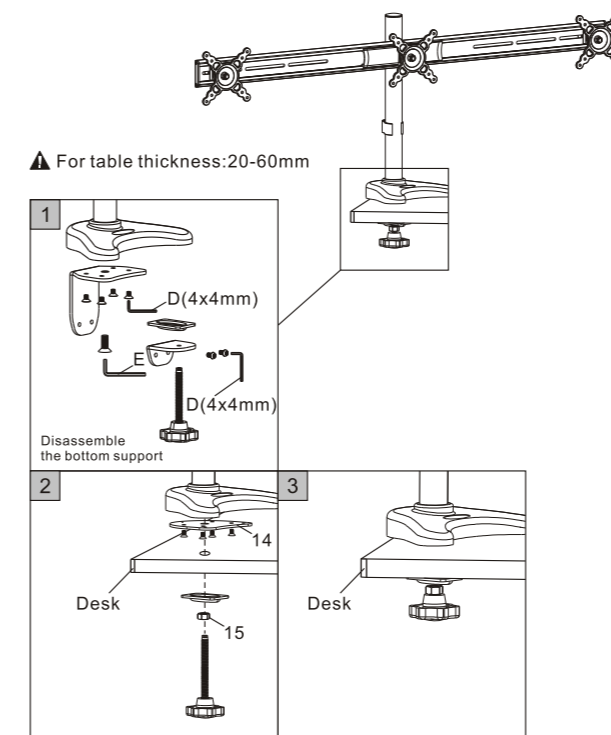
Option1: Clamp



NOTE: Make sure there is enough space to spread display considering the show size. The desk should be between 15mm to 55mm thick and strong enough to bear the force caused by your display.

STEP3-B

Option2: Grommet

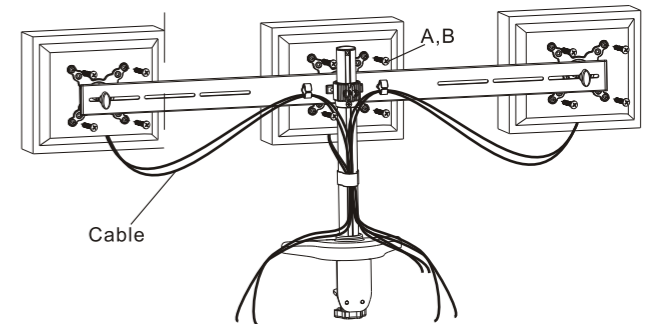


▲ For table thickness:20-60mm

Disassemble the bottom support

STEP4

Attaching TV plate to screen



Warning

This product contains small items that could be a choking hazard if swallowed. Keep these items away from young children!
1. Make sure these instructions are read and completely understood before attempting installation. If you are unsure of any part of this installation, contact a professional installer for assistance.
2. The wall or mounting surface must be capable of supporting the combined weight of the mount and the display; otherwise the structure must be reinforced.
3. Safety gear and proper tools must be used. A minimum of two people are required for this installation. Failure to use safety gear can result in property damage, serious injury or death.



CAUTION

This product contains small items that could be a choking hazard if swallowed. Keep these items away from young children.

- Make Sure these instructions are read and completely understood before attempting installation. If you are unsure of any part of this installation, please contact a professional installer for assistance.
- The desk or mounting surface must be capable of supporting the combined weight of the mount and the display, otherwise the structure must be reinforced.
- Safety gear and proper tools must be used. A minimum of two people are required for this installation. Failure to use safety gear can result in property damage, serious injury or death.
- please check joint parts every two months, making sure the screws are loosened or not.

This product was designed to be installed on desk. Before installing, make sure the mount will support the combined load of the equipment and hardware. Never exceed the maximum load capacity 8 KG, or else it may result in product failure or personal injury.

Note: this product is intended for indoor use only. Use of this product outdoors could lead to product failure or personal injury.

Manufacturer: Zhejiang Dahua Vision Technology Co., Ltd.

Address: The 1st Floor, Building F, No. 1199 Binan Road, Changhe Street, Binjiang District, Hangzhou, P.R. China

Tel: +86-571-87688883 Fax: +86-571-87688815

Email: overseas@dahuatech.com

Web: www.dahuasecurity.com